

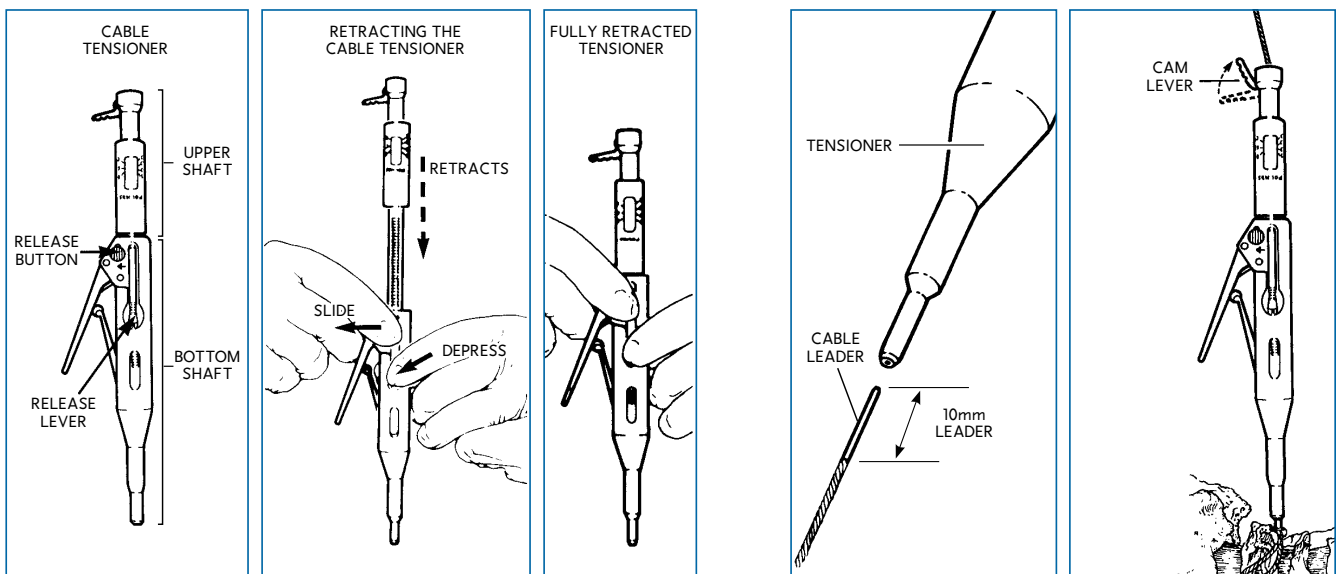
ATLAS® Cable System

Tips for Use

The ATLAS® Cable System is an alternative to monofilament wire and offers flexibility, strength, and control in the correction of spinal stability. The following are a few tips to ensure a smoother case for you and your surgeon.

Tip 1

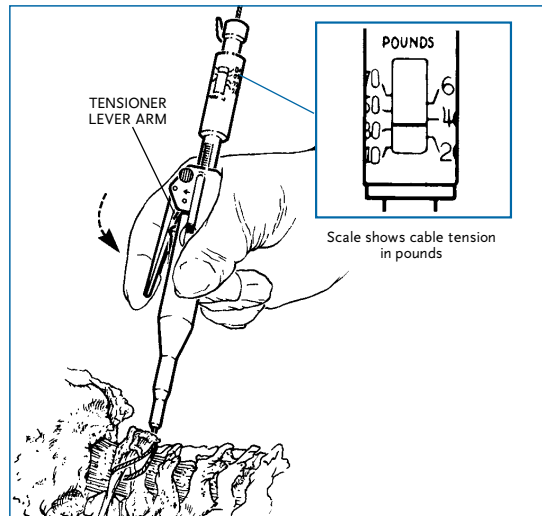
For easy insertion of the cable into the Cable Tensioner, depress the release lever and the sliding release button at the same time. This will fully retract the Cable Tensioner. Then, ensure the cam lever is in the down, **unlocked** position. Insert the cable, first making sure that the cable leader is straight and short. To lock the cable in place, flip the cam lever in the up, **locked** position.



CABLE TENSIONER
825-210

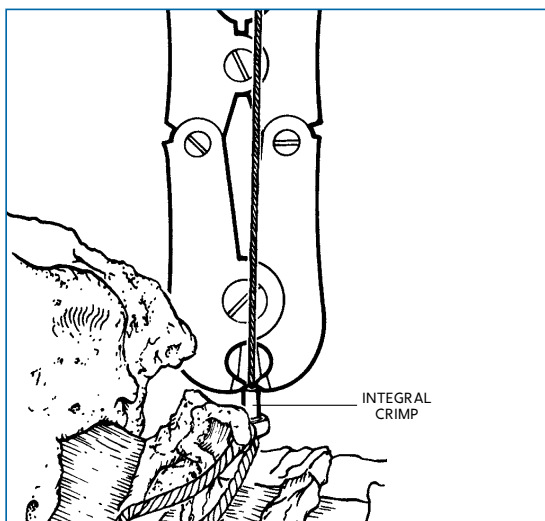
Tip 2

The set maximum measurement for stainless steel cables is 60 pounds; for titanium alloy cables the maximum is 35 pounds.



Tip 3

Cut the excess cable at the end of the integral crimp by tilting the cutter, using only the side edge of the cutter. This ensures a streamlined cut and will not fray the cable.



Do Not Copy Do Not Distribute Do Not Circulate Internal Use Only

MEDTRONIC
Spinal and Biologics Business
Worldwide Headquarters

2600 Sofamor Danek Drive
Memphis, TN 38132

1800 Pyramid Place
Memphis, TN 38132

(901) 396-3133
(800) 876-3133
Customer Service: (800) 933-2635

MEDTRONIC INTERNATIONAL TRADING SÀRL
Route du Molliau 31
CH-1131 Tolochenaz

Tel. +41 (0)21 802 70 00
Fax +41 (0)21 802 79 00

www.sofamordanek.com
For more information go to www.myspinetools.com

IRN7426/078
©2008 Medtronic Sofamor Danek USA, Inc.
All Rights Reserved.

listen. respond. deliver.